



SRK25ZSP-W / SRK25ZSP-W

2.5(0.9~3.1)

Indoor Unit : SRK25ZSP-W

Outdoor Unit : SRK25ZSP-W

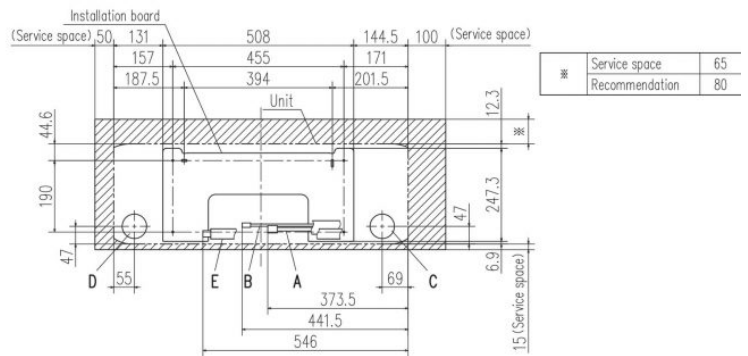
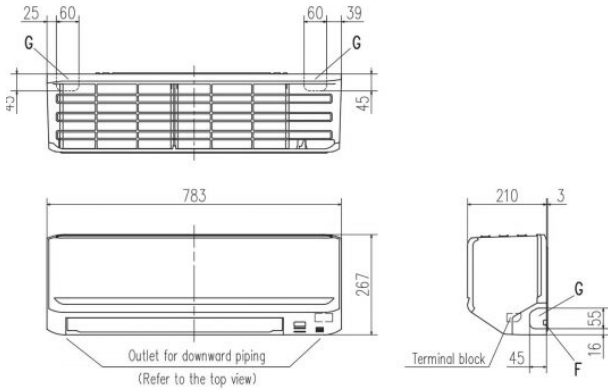
Specifications

| | | | |
|--|------------------|-------------------------|-------------------------|
| Indoor unit | | | SRK25ZSP-W |
| Outdoor unit | | | SRK25ZSP-W |
| Power source | | | 1Phase, 220 - 240, 50Hz |
| Nominal cooling capacity (Min~Max) | | kW | 2.5(0.9~3.1) |
| Nominal heating capacity (Min~Max) | | kW | 2.8(1.0~4.1) |
| Power consumption | Cooling/Heating | kW | 0.710 / 0.690 |
| EER/COP | Cooling/Heating | | 3.52/4.05 |
| Max. running current | | | A 9 |
| Sound power level | Indoor | Cooling/Heating | 57 / 57 |
| | Outdoor | Cooling/Heating | 57 / 56 |
| Sound pressure level | Indoor | Cooling (Hi/Me/Lo/Ulo) | dB(A) 45 / 34 / 23 |
| | | Heating (Hi/Me/Lo/Ulo) | |
| | Outdoor | Cooling/Heating | 47 / 45 |
| Air flow | Indoor | Cooling (Hi/Me/Lo/Ulo) | m3/min 10.0 / 7.3 / 4.2 |
| | | Heating (Hi/Me/Lo/Ulo) | |
| | Outdoor | Cooling/Heating | 23.7 / 19.7 |
| Exterior Dimensions | Indoor | Height x Width x Depth | mm 267 x 783 x 210 |
| | Outdoor | | |
| Net weight | Indoor / Outdoor | kg | 7.0 / 26.5 |
| Refrigerant | Type/GWP | | R32 / 675 |
| Refrigerant | Charge | kg/TCO2Eq | 0.550 / 0.371 |
| Refrigerant piping size | Liquid/Gas | ø mm | 6.35(1/4") / 9.52(3/8") |
| Refrigerant line (one way) length | | | m Max. 15 |
| Vertical height differences | | Outdoor is higher/lower | m Max. 10 / Max. 10 |
| Outdoor operating temperature range | Cooling | °C | -15~46 |
| | Heating | | -15~24 |
| Clean filter | | | - |
| Energy Class (Cooling/Heating) | | | A+ / A+ |
| SEER | | | 6.80 |
| SCOP (Average climate) | | | 4.10 |
| Pdesign (cooling/heating(@-10°C)) | | kW | 2.50/2.80 |
| Annual Electricity Consumption (cooling/heating) | | kWh/a | 129/957 |
| Designated Heating Season | | | Average |

• The data is measured under the following conditions(ISO-T1, H1). Cooling: Indoor temp. of 27°CDB, 19°CWB, and outdoor temp. of 35°CDB. Heating: Indoor temp. of 20°CDB, and outdoor temp. of 7°CDB, 6°CWB.
 • Sound level indicates the value in an anechoic chamber. During operation these values are somewhat higher due to ambient conditions.
 • 'tonne(s) of CO2 equivalent' means a quantity of greenhouse gases- expressed as the product of the weight of the greenhouse gases in metric tonnes and of their global warming potential.
 *SEER/SCOP are based on EN14825:2016 and Commission regulation (EU) No.2016/2281

Schematics

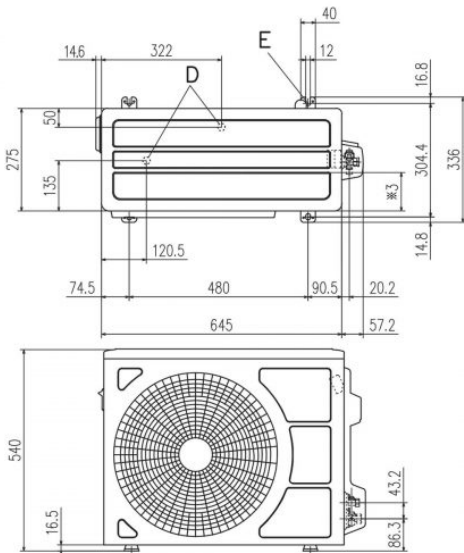
SRK25ZSP-W SRK35ZSP-W SRK45ZSP-W SRK25ZSP-S SRK35ZSP-S SRK45ZSP-S



Space for installation and service when viewing from the front

| Symbol | Content |
|--------|---|
| A | Gas piping SRK25,35 $\phi 9.52$ (3/8") (Flare) |
| B | Liquid piping SRK45 $\phi 12.7$ (1/2") (Flare) |
| C | Hole on wall for right rear piping ($\phi 65$) |
| D | Hole on wall for left rear piping ($\phi 65$) |
| E | Drain hose VP16 |
| F | Outlet for wiring |
| G | Outlet for piping (on both side) |

SRC25ZSP-W SRC25ZSP-S SRC35ZSP-W SRC35ZSP-S



| Symbol | Content |
|--------|---|
| A | Service valve connection (gas side) $\phi 9.52$ (3/8") (Flare) |
| B | Service valve connection (liquid side) $\phi 6.35$ (1/4") (Flare) |
| C | Pipe/cable draw-out hole |
| D | Drain discharge hole $\phi 20 \times 2$ places |
| E | Anchor bolt hole M10 $\times 4$ places |

| Examples of installation Dimensions | Examples of installation | | | |
|-------------------------------------|--------------------------|------|------|------|
| | I | II | III | IV |
| L1 | Open | 280 | 280 | 180 |
| L2 | 100 | 100 | Open | Open |
| L3 | 100 | 80 | 80 | 80 |
| L4 | 250 | Open | 250 | Open |

